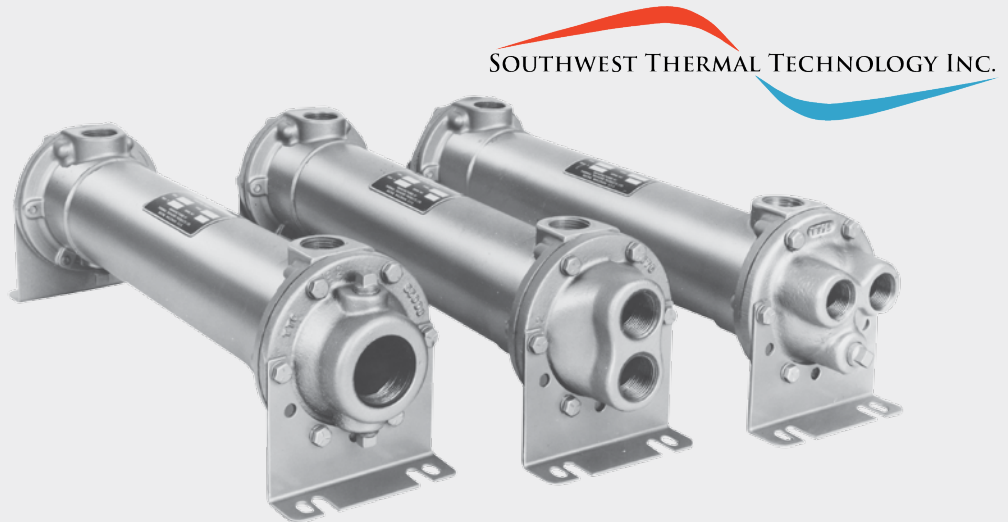


# Fluid Cooling Shell & Tube B Series

## COPPER & STEEL CONSTRUCTION

### Features

- Young Touchstone Interchange (Thermal)
- Optional Non-Ferrous Construction
- Competitively Priced
- 1/4" or 3/8" Tubes Standard
- Water to Water Applications
- Sea Water Applications
- Optional 90/10 Copper Nickel Cooling Tubes and Bronze End Bonnets for Sea Water Service
- NPT, SAE O-Ring, SAE Flange, or BSPP Shell Side Connections Available
- End Bonnets Removable for Servicing
- Mounting Feet Included (May be Rotated in 90° Increments)



### Ratings

- Maximum Shell Pressure** 250 psi  
**Maximum Tube Side Pressure** 150 psi  
**Maximum Temperature** 350° F

### Materials

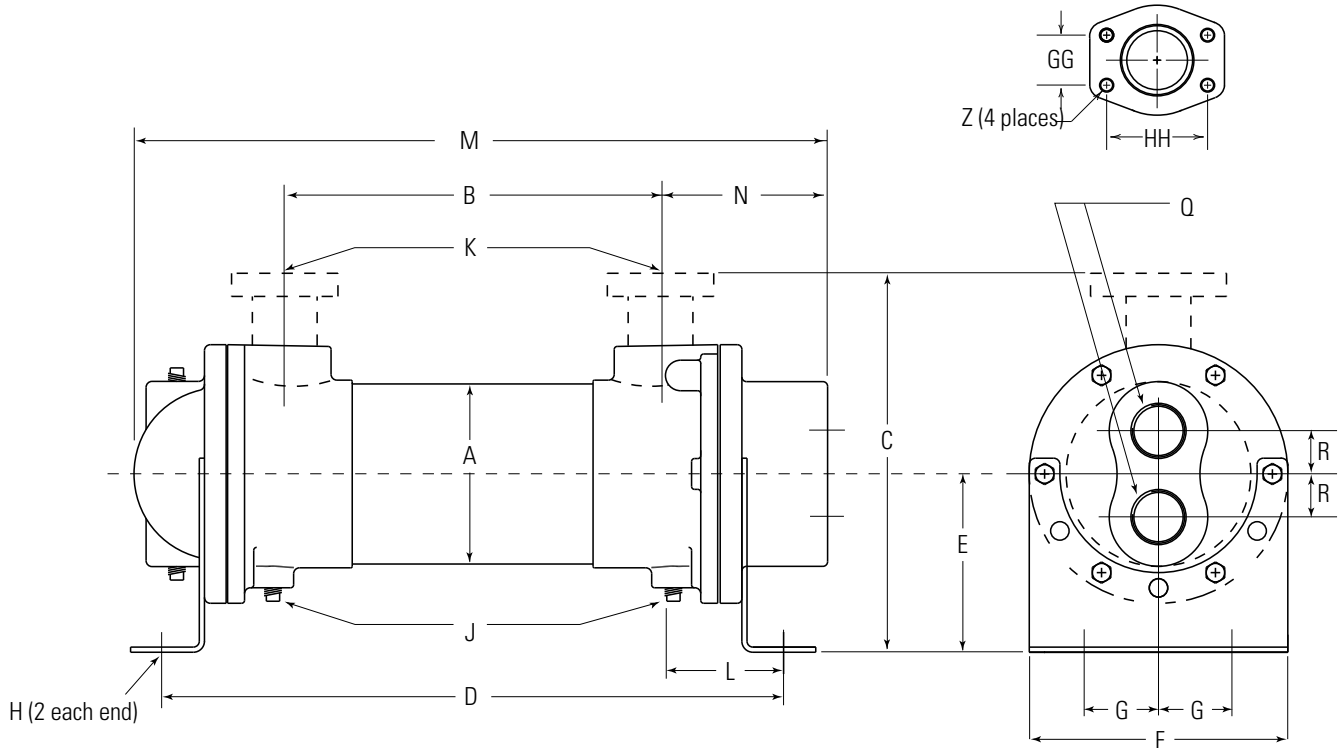
- Tubes** Copper  
**Hubs & Tubesheets** Steel or Brass  
**Shell** Steel or Brass  
**Baffles** Brass  
**End Bonnets** Cast Iron  
**Mounting Brackets** Steel  
**Gaskets** Nitrile Rubber/Cellulose Fiber  
**Nameplate** Aluminum Foil

WATER COOLED B



# Dimensions

## Two Pass



Flange Size	GG	HH	Z - CF	Z - CFM
1	1.03	2.06	3/8-16 UNC	M-10
1.50	1.41	2.75	1/2-13 UNC	M-12
2	1.69	3.06		
3	2.44	4.19	5/8-11 UNC	M-16

MODEL	A	B	C		D	E	F	G	H	J	K		L	M	N	P	Q	R
			NPT/BSPP SAE O-RING	SAE FLANGE							NPT/BSPP FLANGE	SAE O-RING						
B-701	3.656	7.00	6.25	C/F	12.01	3.62	5.25	1.50	.44 x 1.00	(2) .38	1.00	#16, 1 <sup>5</sup> / <sub>16</sub> -12 UNF-2B	2.69	13.28	3.30	(2) .38	1.00	.88
B-702		16.00			21.01									22.28				
B-703		25.00			30.01									31.28				
B-1002	5.125	15.50	7.38	8.46	21.71	4.00	6.75	2.00	.44 x 1.00	(6) .38	1.50	#24, 1 <sup>7</sup> / <sub>8</sub> -12 UN-2B	3.06	23.29	3.80	(2) .38	1.50	1.19
B-1003		24.50			30.71									32.29				
B-1004		33.50			39.71									41.29				
B-1202	6.125	14.62	8.81	10.50	21.50	4.75	7.50	2.50	.44 x .88	(6) .38	2.00	#32, 2 <sup>1</sup> / <sub>2</sub> -12 UN-2B	3.44	23.94	4.56	(2) .50	2.00	1.44
B-1203		23.50			30.38									32.81				
B-1204		32.38			39.25									41.69				
B-1205		41.38			48.25									50.69				
B-1206		50.50			57.38									59.81				
B-1207		59.50			66.38									68.81				
B-1208	68.38	75.25	77.69															
B-1602	8.00	13.60	12.13	15.61	22.38	6.50	8.62	3.50	.44 x 1.00	(6) .38	3.00	—	4.39	25.10	6.08	(2) .50	2.50	1.88
B-1603		22.60			31.38									34.10				
B-1604		31.60			40.38									43.10				
B-1605		40.60			49.38									52.10				
B-1606		49.60			58.38									61.10				
B-1607		58.60			67.38									70.10				
B-1608		67.60			76.38									79.10				
B-1609		76.60			85.38									88.10				
B-1610		85.60			94.38									97.10				

NOTE: We reserve the right to make reasonable design changes without notice. Consult factory. All dimensions are inches.