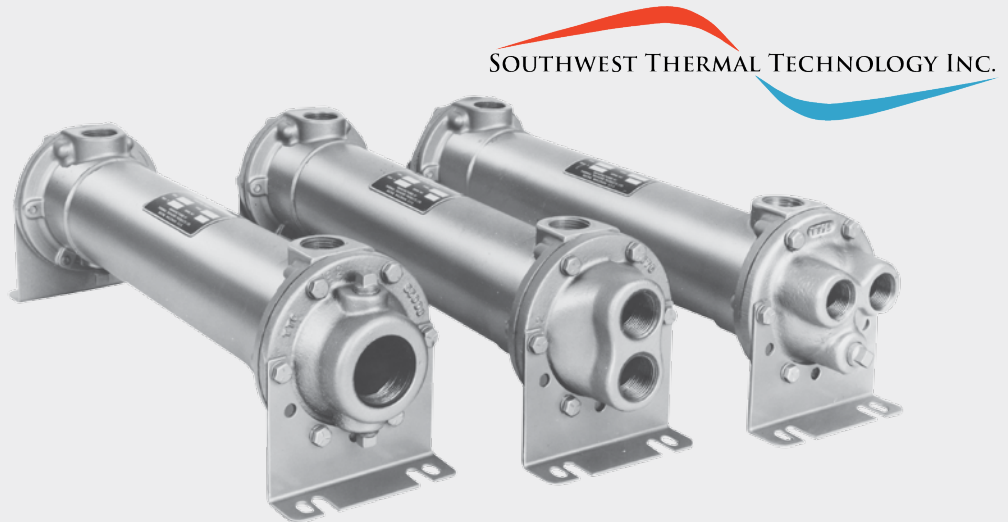


Fluid Cooling Shell & Tube B Series

COPPER & STEEL CONSTRUCTION

Features

- Young Touchstone Interchange (Thermal)
- Optional Non-Ferrous Construction
- Competitively Priced
- 1/4" or 3/8" Tubes Standard
- Water to Water Applications
- Sea Water Applications
- Optional 90/10 Copper Nickel Cooling Tubes and Bronze End Bonnets for Sea Water Service
- NPT, SAE O-Ring, SAE Flange, or BSPP Shell Side Connections Available
- End Bonnets Removable for Servicing
- Mounting Feet Included (May be Rotated in 90° Increments)



Ratings

- Maximum Shell Pressure** 250 psi
Maximum Tube Side Pressure 150 psi
Maximum Temperature 350° F

Materials

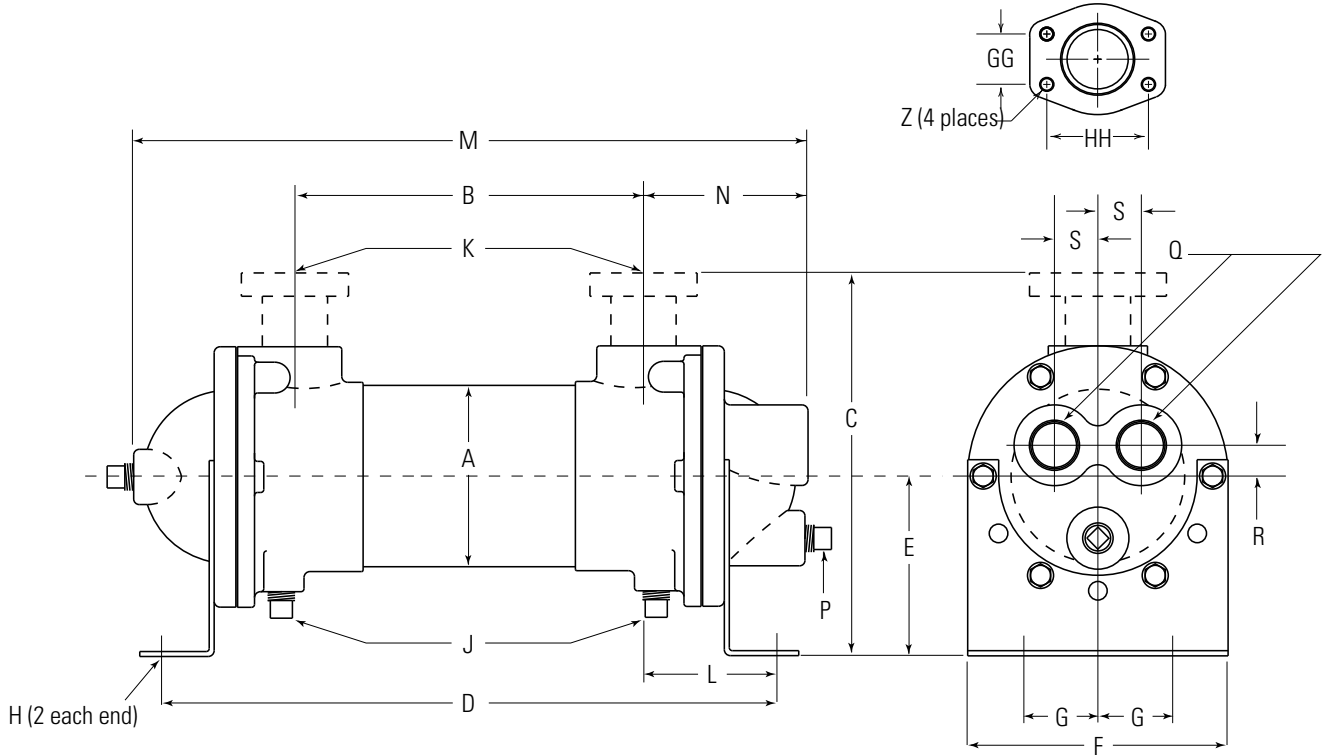
- Tubes** Copper
Hubs & Tubesheets Steel or Brass
Shell Steel or Brass
Baffles Brass
End Bonnets Cast Iron
Mounting Brackets Steel
Gaskets Nitrile Rubber/Cellulose Fiber
Nameplate Aluminum Foil

WATER COOLED B



Dimensions

Four Pass



Flange Size	GG	HH	Z - CF	Z - CFM
1	1.03	2.06	3/8-16 UNC	M-10
1.50	1.41	2.75	1/2-13 UNC	M-12
2	1.69	3.06		
3	2.44	4.19	5/8-11 UNC	M-16

MODEL	A	B	C		D	E	F	G	H	J NPT	K		L	M	N	P NPT	Q NPT	R	S
			NPT/BSPP SAE O-RING	SAE FLANGE							NPT/BSPP FLANGE	SAE O-RING							
B-701	3.656	7.00	6.25	C/F	12.01	3.62	5.25	1.50	.44 x 1.00	(2) .38	1.00	#16, 1 ⁵ / ₁₆ -12 UNF-2B	2.69	13.57	3.32	(3) .38	.75	.62	.88
B-702		16.00			21.01									22.57					
B-703		25.00			30.01									31.57					
B-1002	5.125	15.50	7.38	8.46	21.71	4.00	6.75	2.00	.44 x .88	(6) .38	1.50	#24, 1 ⁷ / ₈ -12 UN-2B	3.06	23.57	4.12	(2) .38	1.00	.75	1.34
B-1003		24.50			30.71									32.57					
B-1004		33.50			39.71									41.57					
B-1202	6.125	14.62	8.81	10.50	21.50	4.75	7.50	2.50	.44 x .88	(6) .38	2.00	#32, 2 ¹ / ₂ -12 UN-2B	3.44	24.44	4.90	(1) .50	1.50	1.06	1.40
B-1203		23.50			30.38									33.31					
B-1204		32.38			39.25									42.19					
B-1205		41.38			48.25									51.19					
B-1206		50.50			57.38									60.31					
B-1207		59.50			66.38									69.31					
B-1208		68.38			75.25									78.19					
B-1602		13.60			22.38									26.72					
B-1603	22.60	31.38	35.72																
B-1604	31.60	40.38	44.72																
B-1605	40.60	49.38	53.72																
B-1606	49.60	58.38	62.72																
B-1607	58.60	67.38	71.72																
B-1608	67.60	76.38	80.72																
B-1609	76.60	85.38	89.72																
B-1610	85.60	94.38	98.72																

NOTE: We reserve the right to make reasonable design changes without notice. Consult factory. All dimensions are inches.

